



Enhancing Agriculture Productivity with IoT-Enabled Predictive Analytics & Machine Learning

Jasmine Beulah Gnanadurai, V Vinothina, V S Prakash,
M Sandhya and K Vignesh

EasyChair preprints are intended for rapid dissemination of research results and are integrated with the rest of EasyChair.

January 8, 2024

Enhancing Agriculture Productivity with IoT- Enabled Predictive Analytics & Machine Learning

*Dr. G. Jasmine Beulah, **Dr.V.Vinothina, #Dr. V S Prakash, \$Sandhya M, \$Vignesh K

*,#Assistant Professor, Dept. Computer Science, ** Associate Professor, Dept.

Computer Science Kristu Jayanti College (Autonomous), Bengaluru

*jasmine@kristujayanti.com, **vinothina.v@kristujayanti.com, #vsprakash@kristujayanti.com, \$sandhyabl29@gmail.com

\$vigneshkumarbl21@gmail.com

Abstract — Agriculture plays a pivotal role in global food security and economic sustainability. To meet the increasing demand for food, it is essential to maximize agricultural productivity while conserving resources and mitigating the environmental impact. The convergence of the Internet of Things (IoT), predictive analytics, and machine learning has ushered in a transformative era known as precision agriculture. This interdisciplinary approach leverages data from IoT sensors and satellites, applies predictive analytics, and harnesses the power of machine learning algorithms to optimize farming practices. Precision agriculture offers a myriad of benefits. It enables resource optimization by providing real-time data on soil conditions, weather patterns, and crop health. This data-driven approach minimizes waste, enhances yield, and reduces the need for pesticides and fertilizers. Furthermore, machine learning models provide predictive insights, facilitating early disease detection, precise pest management, and accurate yield forecasting. These advancements empower farmers to make informed, data-driven decisions, thereby promoting more efficient and sustainable farming practices. The future of agriculture with IoT, predictive analytics, and machine learning holds great promise. Ongoing research focuses on advanced sensors, edge computing, and data integration. Additionally, ethics, data privacy, and regulatory considerations are essential areas of exploration. As technology continues to advance, it is evident that precision agriculture will play a pivotal role in addressing the food security and sustainability challenges of the 21st century. With the use of experimental data gathered from a maize farm, the suggested strategy is assessed. The findings demonstrate that the suggested method has a 95% accuracy rate for predicting crop yields. By decreasing the negative effects of farming techniques on the environment and boosting crop output, this research may help promote sustainable agriculture.

Keywords-- Agriculture, Internet of Things (IoT), predictive analytics, machine learning, crop health, crop yields, sustainability, environmental impact, farming practices.

1. Introduction

Agriculture is the lifeblood of human civilization, providing the sustenance that nourishes and sustains our global population. It is a cornerstone of economic activity in many countries, a source of livelihood for billions, and a keystone of food security. As the world's population continues its inexorable climb, so too does the demand for food, challenging agriculture to produce more with fewer resources, less arable land, and in the face of increasingly unpredictable climate patterns. In the quest to meet these pressing challenges, modern agriculture has found an indispensable ally in the form of technology, specifically, the Internet of Things (IoT), predictive analytics, and machine learning.

The convergence of IoT, predictive analytics, and machine learning has led to a transformative paradigm known as precision agriculture, often referred to as smart farming or digital agriculture. This paradigm shift equips farmers and agricultural stakeholders with the tools and insights necessary to optimize the cultivation of crops, management of livestock, and stewardship of natural resources. It harnesses the power of real-time data collection, advanced data analysis, and intelligent decision-making to drive agricultural practices towards a more efficient, sustainable, and productive future.

The fundamental premise of precision agriculture is that it enables more precise and efficient resource allocation. Traditionally, agricultural practices have often operated on a broad-brush, one-size-fits-all approach, applying uniform treatments across entire fields or herds. However, within even the smallest agricultural plot, there are often significant variations in factors such as soil composition, moisture levels, pest pressures, and plant health. By leveraging IoT technologies, which include an array of sensors, drones, satellites, and remote monitoring devices, farmers can now collect real-time data on a multitude of variables.

For instance, soil sensors can provide immediate feedback on soil conditions, measuring moisture content, nutrient levels, pH, and temperature, allowing farmers to adjust irrigation and fertilization precisely where needed. Weather data collected from IoT devices can help anticipate rain, frost, or heatwaves, allowing timely protective measures for crops. Remote sensing technologies, such as satellites and drones, provide high-resolution imagery that can detect variations in crop health, spot pests or diseases early, and guide targeted interventions. The wealth of data generated by these devices is then processed and analysed using predictive analytics and machine learning models to offer actionable insights.

The amalgamation of IoT, predictive analytics, and machine learning has the potential to revolutionize agriculture on multiple fronts:

Resource Optimization: By precisely targeting inputs like water, fertilizers, and pesticides, farmers can reduce waste and lower operational costs while maintaining or even increasing yields. This approach conserves resources and reduces the environmental footprint of agriculture.

Yield Enhancement: Advanced analytics and machine learning models can forecast crop yields with greater accuracy. Farmers can anticipate potential shortfalls, adapt planting strategies, and optimize harvest timing for higher-quality produce.

Pest and Disease Management: IoT sensors and predictive models can predict outbreaks of pests or diseases and provide early warning systems. This timely information allows for targeted interventions, reducing the need for broad-spectrum treatments and minimizing the environmental impact.

Livestock Monitoring: In the realm of animal agriculture, IoT-enabled devices can monitor the health and well-being of livestock. Sensors can track vital signs, feeding patterns, and behaviour, enabling early detection of illness or stress.

Supply Chain Efficiency: IoT technologies and data analytics can also be applied to the agricultural supply chain. From monitoring the condition of harvested crops in transit to optimizing distribution routes, these tools help ensure that produce reaches markets in optimal condition.

Sustainability and Environmental Impact: By reducing resource waste and limiting the use of harmful chemicals, precision agriculture aligns with sustainability goals and helps to minimize the negative environmental effects of farming.

Data-Driven Decision-Making: IoT devices generate a continuous stream of data, and machine learning models can transform this information into actionable insights. Farmers and agricultural experts can make decisions based on data-driven evidence rather than intuition.

Climate Resilience: Given the increasing unpredictability of weather patterns due to climate change, IoT sensors and predictive models can assist in adapting agricultural practices to evolving environmental conditions.

This paper delves into the intricate interplay between IoT-enabled predictive analytics and machine learning within the agricultural domain. It explores the latest developments, successful case studies, challenges faced, and future possibilities for enhancing agriculture productivity. Our primary objective is to shed light on how these technologies have the potential to reshape the landscape of agriculture, propelling it towards a more efficient, sustainable, and productive future. In the following sections, we will delve into the key aspects of this transformative paradigm, examining the latest developments, successful case studies, challenges, and the potential for future enhancements. The paper underscores the pivotal role of technology in shaping the future of agriculture and the vital contribution it can make to global food security and environmental sustainability.

2. Literature Survey

The need for food is anticipated to rise dramatically in the next years, making agriculture an important sector of the global economy. It is crucial to increase agricultural output while guaranteeing sustainability and resource conservation to satisfy this demand. By using data from various sources, like as sensors, satellites, and weather forecasts, predictive analytics and machine learning made available by the Internet of Things (IoT) have exciting opportunities to achieve these goals and provide farmers with real-time insights and decision support.

The paper by Zhang et al. (2019) contributes to the literature by demonstrating the potential of deep learning-based approaches in soybean yield estimation using remote sensing data. This approach offers promising prospects for enhancing the accuracy and practicality of yield prediction, which is crucial for sustainable and efficient agricultural practices. Researchers and practitioners in the field of precision agriculture can build upon this work to explore similar applications in other crops and regions while addressing the challenges and limitations associated with deep learning models. In "Wheat yield forecasting using satellite data and machine learning techniques" (Naeini et al., 2018), the authors successfully employ machine learning and satellite data to predict wheat yields. This research highlights the practical potential of remote sensing and data-driven approaches for accurate crop yield forecasting, benefiting agricultural management and decision-making.

Shahid et al.'s (2019) survey on IoT-enabled Smart Agriculture provides a comprehensive overview of application domains, technologies, and challenges. This research offers valuable insights into the diverse applications and technology solutions in smart agriculture, facilitating a better understanding of its potential and the hurdles it faces. In "Real-time water quality monitoring and management in precision irrigation system utilizing IoT" (Wang et al., 2019), the authors present an innovative approach for precision irrigation. By leveraging IoT technology for real-time water quality monitoring, the study contributes to more efficient water resource management, enhancing

sustainability in agriculture. Kumar et al.'s (2019) review explores IoT-based smart irrigation systems' role in improving water management in agriculture. The paper comprehensively discusses the potential of these systems in optimizing resource usage and reducing water wastage, making it a valuable resource for sustainable agricultural practices.

Singh et al. (2018) introduce a smart security surveillance system for precision agriculture, combining IoT and machine learning. This innovative approach enhances farm security and resource protection. The integration of these technologies presents potential applications for safeguarding valuable assets in agriculture, contributing to overall efficiency and productivity. In "An intelligent identification and diagnosis system for grape diseases based on deep learning" (Wang et al., 2020), the authors present an innovative approach to identifying and diagnosing grape diseases using deep learning techniques. This system offers an efficient and accurate tool for disease management in viticulture, showcasing the potential of AI in precision agriculture. Srinivasan et al. (2019) introduce an early identification system for fall armyworm using IoT and machine learning. This research demonstrates the feasibility of timely pest detection in agriculture, showing the practicality and benefits of such technology in addressing crop threats and improving pest management strategies.

In "Crop yield prediction algorithm (CYPA) in precision agriculture based on IoT techniques and climate changes" by Talaat (2023), the author presents an innovative algorithm for crop yield prediction. By leveraging IoT and climate data, this research offers a valuable tool for enhancing precision agriculture and resource management in the face of climate variability. Senapaty et al. (2023) present an IoT-enabled model for soil nutrient analysis and crop recommendation in precision agriculture. This research offers a practical solution for optimizing crop productivity and resource management. By integrating IoT technology, it contributes to sustainable and efficient agricultural practices, benefiting both farmers and the environment. In "AI-Driven Intelligent Sensor Networks: Key Enabling Theories, Architectures, Protocols, and Techniques" by Ikram et al. (2022), the authors explore AI-driven sensor networks. This research addresses the theoretical underpinnings, architectural designs, protocols, and techniques that enable intelligent sensor networks. It contributes to the advancement of AI-based sensor systems with broad applications, including precision agriculture.

In "IoT Enabled Smart Irrigation and Cultivation Recommendation System for Precision Agriculture" by V. Elizabeth Jesi et al. (2022), the authors present a system that leverages IoT for smart irrigation and cultivation recommendations. This research enhances precision agriculture by providing intelligent, data-driven guidance for farmers, optimizing resource utilization, and increasing crop yields. Shashi Shreya, Kakali Chatterjee, and Ashish Singh (2023) introduce BFSF, a secure IoT framework for smart farming using block chain technology. This innovative approach enhances data security and trust in agriculture by ensuring the integrity of information in real-time. The use of block chain offers a promising solution to safeguard sensitive agricultural data and improve decision-making in precision farming.

Devendra Singh Mohan, Vijay Dhote, Prateek Mishra, Priya Singh, and Alok Srivastav (2023) present an IoT framework for precision agriculture with a focus on machine learning-based crop prediction. This research offers an integrated solution for data-driven farming, improving crop forecasting accuracy, and resource management in agriculture. In "An IoT-based intelligent farming using CNN for early disease detection in rice paddy" by Oliva Debnath and Himadri Nath Saha (2022), the authors employ IoT and Convolutional Neural Networks (CNN) for early disease detection in rice crops. This innovative approach enhances crop health monitoring and disease prevention, contributing to more sustainable rice cultivation practices. Shashi Shreya, Kakali Chatterjee, and Ashish Singh (2023) introduce BFSF, a secure IoT framework for smart farming using block chain. This innovative approach enhances data security and trust in agriculture by ensuring the integrity of information in real-time. The use of block chain offers a promising solution to safeguard sensitive agricultural data and improve decision-making in precision farming.

In the study by Ram et al. (2020), the authors explore the concept of the "Internet of Green Things" by employing autonomous wireless wheel robots in agricultural settings. These robots offer a promising solution for precision farming, as they can efficiently navigate greenhouses and farms to monitor and manage crop conditions. The research highlights the potential of IoT technologies to enhance agricultural productivity and sustainability while reducing labour-intensive tasks. In their research, R. Santhana Krishnan et al. (2020) present a smart irrigation system integrating fuzzy logic and IoT technology. This innovative approach enhances water resource management by precisely regulating irrigation based on real-time data. The study demonstrates the potential for significant water conservation and sustainable agriculture practices, contributing to both environmental and agricultural efficiency.

In their study, R. Niranjana, R. S. Krishnan, K. L. Narayanan, X. A. Presskila, E. G. Julie, and S. Sundararajan (2022) introduce the Intelligent Itinerant Robot (IIR) for agricultural farm monitoring using IoT technology. This research showcases an innovative solution for autonomous and efficient farm surveillance. The IIR's IoT integration allows real-time data collection and analysis for crop health and environmental conditions, enabling informed

decision-making. Their work demonstrates the potential for enhancing precision agriculture and optimizing resource management in the context of smart farming.

Overall, the research points to the potential for IoT-enabled predictive analytics and machine learning to significantly increase agriculture output by giving farmers access to real-time data and decision-making assistance. However, there are still issues to be resolved, such as user adoption, interoperability, and data privacy and security. To solve these issues and create more practical and approachable solutions for agriculture, additional study is required.

3. Agile Agriculture Prototype

The prototype being developed is aimed at enhancing agriculture productivity through IoT-enabled predictive analytics and machine learning. The prototype combines two main components: A.SAPS (Smart Agricultural Production System) and B. ACIS (Automated Crop Irrigation System)

3.1 SAPS (Smart Agricultural Production System)

Smart Agricultural Production Systems represent the fusion of cutting-edge technology with traditional farming practices. These systems leverage IoT, sensors, data analytics, and automation to enhance agricultural efficiency and sustainability. Sensors monitor soil conditions, weather, and crop health in real-time, enabling precise resource allocation. Machine learning and AI analyse the data to optimize planting, irrigation, and pest control. Automation aids in planting, harvesting, and maintenance. The result is increased yields, reduced resource waste, and eco-friendly practices. Smart Agricultural Production Systems are a solution to feed the world's growing population while minimizing environmental impact and ensuring sustainable farming practices for the future.

The Smart Agricultural Production System (SAPS) prototype, depicted in Fig.1, is designed for crop monitoring, fertilizer management, disease detection, and surveillance. It consists of an Electrochemical Soil Nutrient Sensor, a CC2530 ZigBee module, an E18-MS1PA2-IPX ZigBee module, a wireless PIR sensor, an IR Sensor Module, an Infrared Night Vision Camera Module V2, a WIFI modem, a buzzer, and a solar panel power supply.

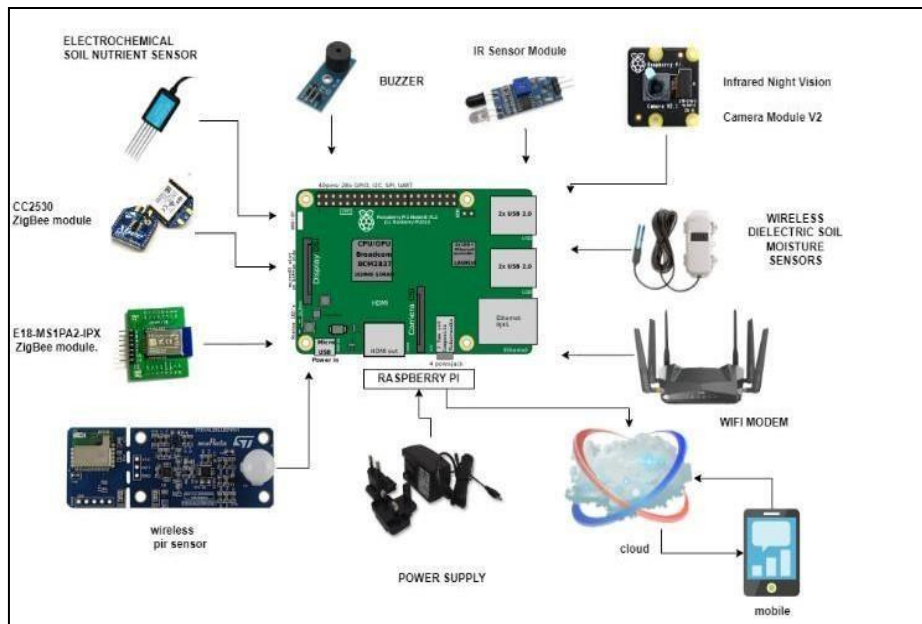


Fig.1. SAPS: Smart Agricultural Production System

SAPS uses IoT sensors to gather data on crop growth and health, which is wirelessly sent to a Raspberry Pi microcontroller for processing. Machine learning and predictive analytics are employed to analyse the data, forecast crop yield, identify diseases, and suggest optimal fertilizer and irrigation strategies. This system provides farmers with real-time information to make well-informed decisions regarding their crops, ensuring maximum yield and health.

The SAPS prototype also incorporates surveillance components to keep an eye on crops and the surrounding area for potential hazards like pests or intruders. Machine learning algorithms assess the data collected by these sensors and cameras, and the system issues alerts to the farmer through the WIFI modem or buzzer if any threats are detected. This feature enables farmers to respond promptly to protect their crops, resulting in enhanced agricultural productivity and sustainability.

3.1.1 Methodology - SAPS

To give farmers real-time information about the condition of their crops, the agricultural prediction system combines sensors, machine learning algorithms, and video systems. This system has a function that recommends the best crop based on the soil nutrients level obtained from the Electrochemical Soil Nutrient Sensor and the optimal fertilizer based on the soil nutrients and the expected crop. Based on the input data, the probabilistic algorithm Naive Bayes determines the chance that each crop and fertilizer will be the optimal choice.

The system also has a disease detection component that keeps an eye out for symptoms of illness on the crops using a camera system, such as the Infrared Night Vision Camera Module V2. The photos are analysed using machine learning techniques to find any crop illnesses, such as the random forest method. The next step is to create a disease alarm system that notifies the user when a disease is found in the crops. Any desired form of communication, including email, text message, or any other, may be used to send the alert.

The agricultural prediction system also includes a surveillance system that scans the farm for humans or animals using an E18-MS1PA2-IPX ZigBee module for object detection and a wireless PIR sensor for motion detection. The user is alerted when someone or something is spotted via a buzzer or some comparable alert method as given in Fig.2.

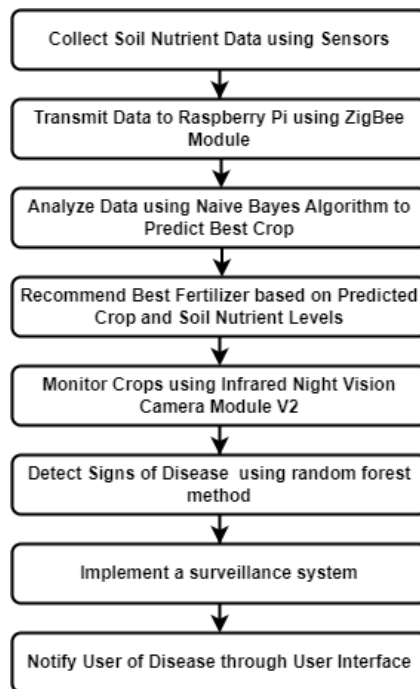


Fig.2 SAPS Workflow

3.2 ACIS (Automated Crop Irrigation System)

Agriculture, the backbone of human sustenance, heavily depends on the availability of water. To feed the ever-growing global population, efficient water management in agriculture is paramount. The traditional irrigation methods, often reliant on human labour and imprecise timing, often lead to excessive water usage, reduced crop yields, and environmental degradation. In this context, the advent of Automated Crop Irrigation Systems, which harness modern technologies such as sensors, IoT, and data analytics, represents a pivotal shift in sustainable agricultural practices. Automated Crop Irrigation Systems are a technological response to the need for precision in water distribution. These systems employ a network of sensors, controllers, and actuators to monitor and manage irrigation processes. The cornerstone of these systems is data, which is collected from various sources, processed in real-time, and used to take up-to-date decisions about when, where, and how much to irrigate. The sensors, often placed in the soil or atmosphere,

measure factors like soil moisture, temperature, humidity, and weather conditions. This real-time data feeds into a central controller that determines the irrigation schedule, ensuring that plants receive the optimal amount of water precisely when they need it.

Water scarcity and inefficient irrigation practices continue to pose significant challenges to global food security and sustainability. In response to these challenges, there has been an growing concern for the use of technology to optimize water management and crop production.[4] One such technology is IoT-enabled predictive analytics and machine learning, which can be used to collect and analyse actual data on soil moisture, weather patterns, and crop strength.[4] In this context, ACIS (Automated Crop Irrigation System) has been developed as an innovative solution to help farmers manage their water resources more efficiently and optimize irrigation for crops as shown in Fig.3.

ACIS is an automated crop irrigation system designed to manage water resources and optimize irrigation for crops. The system includes a water reserve, a Raspberry Pi microcontroller, an electronic valve, a pressure transducer, a solar panel, a solar charge controller, and a flow meter. ACIS integrates wireless dielectric soil moisture sensors and a CC2530 ZigBee module to monitor soil moisture levels and transmit data wirelessly to the Raspberry Pi.

The system uses IoT-enabled predictive analytics and machine learning to analyse the collected data and optimize irrigation for crops. ACIS is a powerful tool for enhancing agriculture productivity by providing farmers with real-time data and insights to take knowledgeable choices about their crops and water resources.

[Grab your reader’s attention with a great quote from the document or use this space to emphasize a key point. To place this text box anywhere on the page, just drag it.]

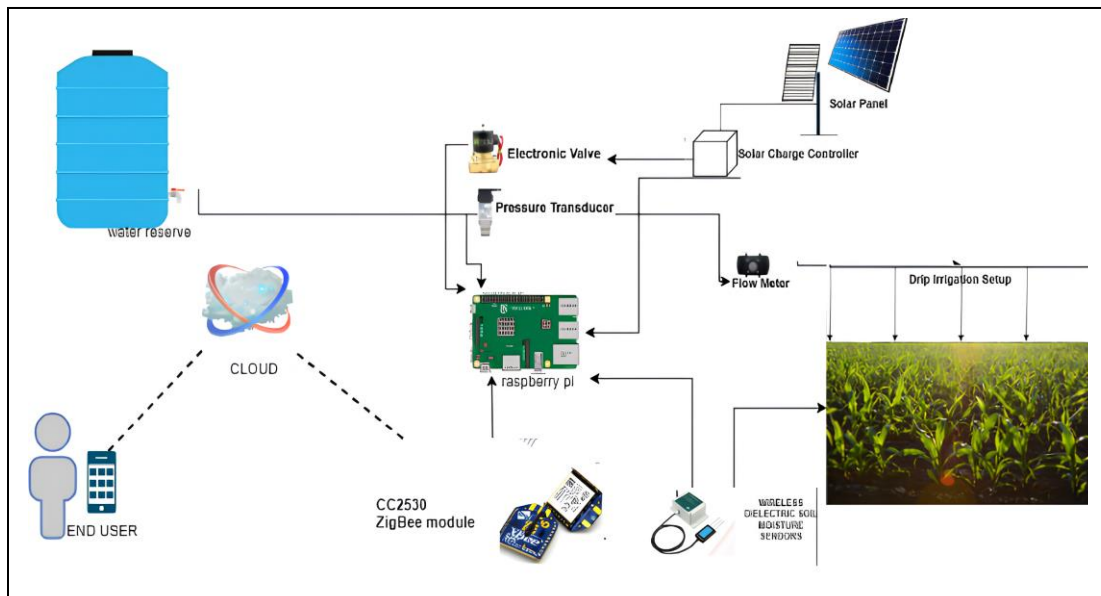


Fig.3 ASIC: Automated Crop Irrigation System

3.2.1 Methodology- ASIC

The system works by employing dielectric soil sensors to measure soil moisture and a CC2530 ZigBee module linked to a Raspberry Pi. For determining when to irrigate the soil, machine learning algorithms like random forest are utilized to examine the soil moisture data together with meteorological data and other pertinent parameters. An alarm is delivered to the user through email, text message, or another selected communication channel when the soil moisture level drops below a threshold level. The system also has a watering system that, in response to an alarm, automatically waters the ground. This system is controllable by a relay or other switching device.

A feedback mechanism is used to monitor the water release rate and modify the irrigation system to avoid overwatering. Moreover, the system has remote access features that enable users to examine soil moisture data and manage the irrigation system from any location via a web-based interface or mobile application as given in Fig.4.

4. Agile Agriculture Workflow

Agricultural prediction systems have emerged as a key technology to provide real-time information to farmers about the health and condition of their crops. These systems combine various sensors, machine learning algorithms, and video systems to collect and analyse data related to soil nutrients, crop diseases, and moisture levels.

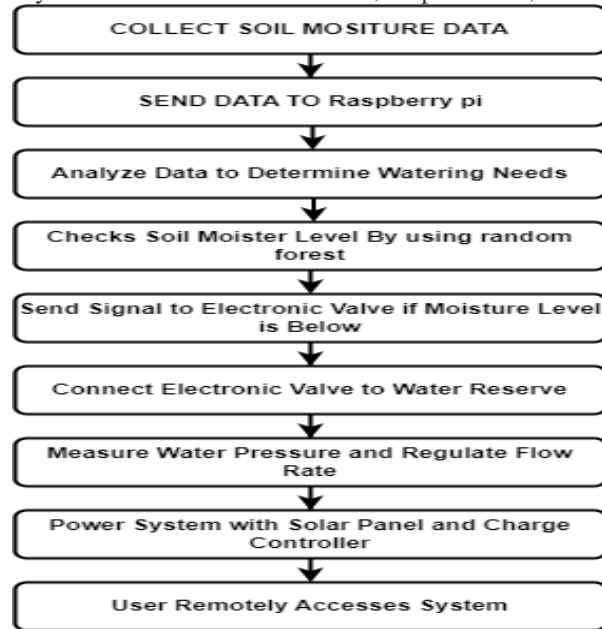


Fig.4. ASIC Workflow

The prediction systems offer insights and recommendations on optimal crops, fertilizers, and irrigation schedules, and also alert farmers to potential crop diseases and watering needs. In this context, two different agricultural prediction systems, namely SAPS and ASIC, have been developed with unique features and functionalities as given in Fig.4.

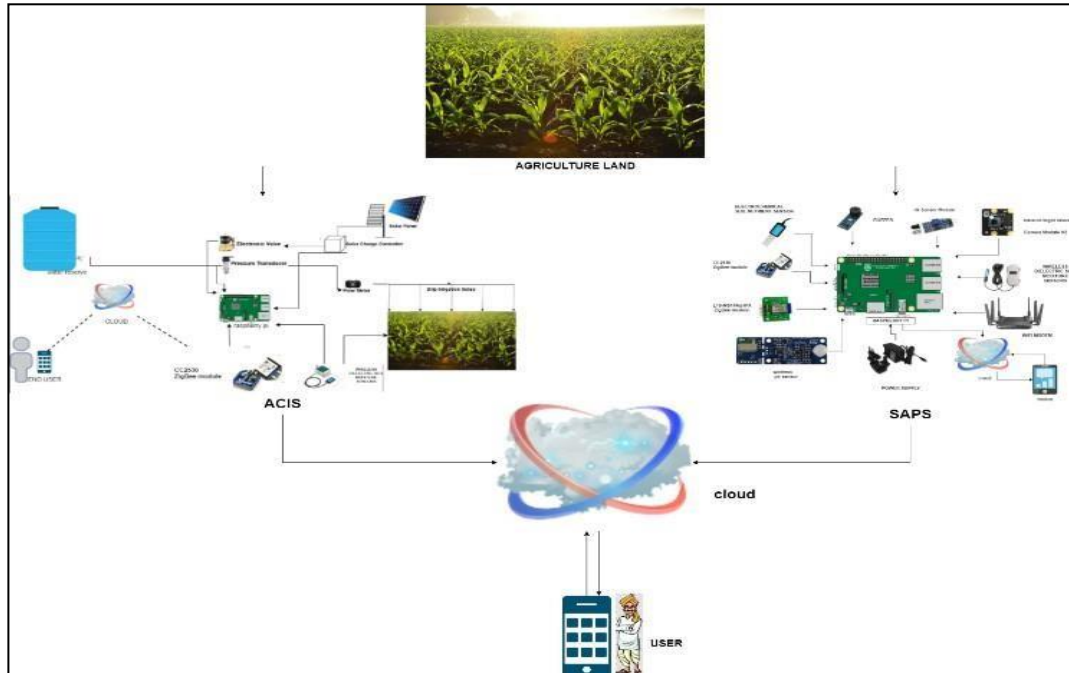


Fig.4. Agile Agriculture Workflow

The agricultural prediction system combines multiple sensors, machine learning algorithms, and video systems to provide farmers with real-time information about their crops. The system recommends the best crop and fertilizer based on the soil nutrient levels obtained from Electrochemical Soil Nutrient Sensors, using the Naive Bayes algorithm. It also uses a camera system to monitor crops for disease, and machine learning algorithms to analyze images and identify any diseases present.

When a disease is detected, the system alerts the user through email, text message, or other communication methods. The system uses dielectric soil sensors and a CC2530 ZigBee module to monitor the soil moisture level. A machine learning algorithm is then used to analyze soil moisture data, meteorological data, and other relevant parameters to determine when to irrigate the soil. An alarm is sent to the user when the soil moisture level falls below a threshold, and the watering system is automatically activated.

The system also includes a surveillance system that uses an E18-MS1PA2-IPX ZigBee module and a wireless PIR sensor to detect any humans or animals on the farm. An alert is sent to the user via a buzzer or other alert method if someone or something is detected. The system also allows remote access to soil moisture data and the ability to manage the watering system through a web-based interface or mobile application. [7]

In conclusion, the SAPS and ASIC agricultural prediction systems provide farmers with a comprehensive solution to monitor and manage their crops effectively. The use of sensors, machine learning algorithms, and video systems offers a holistic view of the farming land and enables farmers to make informed decisions about crop health, irrigation, and fertilizer needs. The disease detection feature in SAPS and surveillance system in ASIC provide an added layer of protection for crops, while the automatic watering system in ASIC ensures timely watering of the soil. The remote access feature in both systems provides farmers with the convenience of accessing the data and managing their farms from anywhere. Overall, these agricultural prediction systems offer promising solutions for enhancing the efficiency and productivity of farming operations, and contribute to sustainable agriculture practices.

5. Simulation

The scikit-learn (sklearn) library is a powerful tool for machine learning and data analysis in Python. It offers a wide range of functionalities for various tasks, including classification and regression, by providing easy-to-use implementations of popular algorithms. Some of the most widely used algorithms for classification and regression tasks in scikit-learn include Decision Trees, Naive Bayes, Support Vector Machines (SVM), Logistic Regression, and Random Forest.

Decision Trees: Scikit-learn allows users to create and train decision tree models, which are effective for both classification and regression tasks. Decision Trees are intuitive to interpret and visualize, making them a valuable tool for decision-making processes.

Naive Bayes: Scikit-learn includes the Naive Bayes classifier, which is a simple yet effective algorithm for text classification and other tasks. It's particularly useful for applications like spam detection and sentiment analysis.

SVM (Support Vector Machines): Scikit-learn provides SVM implementations for classification and regression. SVM is a versatile algorithm that can handle linear and non-linear data separation by finding the optimal hyperplane or kernel function.

Logistic Regression: Logistic regression, a fundamental algorithm for binary and multi-class classification, is readily available in scikit-learn. It's valuable for tasks such as medical diagnosis and credit risk analysis.

Random Forest: Scikit-learn supports Random Forest, an ensemble learning method based on decision trees. Random Forest is known for its robustness and ability to handle high-dimensional data, making it a popular choice for both classification and regression tasks.

Scikit-learn's simulation capabilities extend beyond training models. It offers tools for data preprocessing, cross-validation, hyper parameter tuning, and model evaluation, simplifying the entire machine learning workflow. Users can easily split data into training and testing sets, perform k-fold cross-validation, and assess model performance with metrics like accuracy, precision, recall, and F1-score.

Scikit-learn also provides comprehensive documentation, examples, and tutorials, making it an accessible resource for both beginners and experienced data scientists. With its extensive range of algorithms and utilities, it's a go-to library for machine learning tasks in Python, empowering users to build and simulate a wide array of models for classification and regression with ease and efficiency.

The code first imports various machine learning models from the sklearn library, such as Decision Tree, Naive Bayes, SVM, Logistic Regression, and Random Forest. For each model, the code creates an instance of the model and

initializes it with certain parameters. It then fits the model to the training data using the fit() method, and predicts the classes of the testing data using the predict() method. The accuracy of the model is then calculated using the accuracy_score() function and stored in a list called 'acc'. The name of the model is also stored in a list called 'model' shown in Fig.6

Finally, the accuracy scores of all the models are plotted in a bar chart using the seaborn library, which provides a comparison of the accuracy of all the models. This code imports several Python libraries, including pandas, NumPy, seaborn and sklearn. Next, it uses pandas to read in a CSV file containing data for a crop recommendation system, and it uses the train_test_split() function from sklearn to divide the data into training and testing sets. The code then creates an instance of the GaussianNB() class, which is a type of Naive Bayes classifier. The model is trained on the training data using the fit() method.

The next line of code generates predictions for the testing data using the predict() method, and the resulting predictions are stored in the variable 'predictions'. The accuracy_score() function from sklearn.metrics is used to calculate the model's accuracy by comparing the predicted values with the actual values of the testing data. The resulting accuracy score is stored in the variable 'accuracy' and printed to the console shown in Fig.7

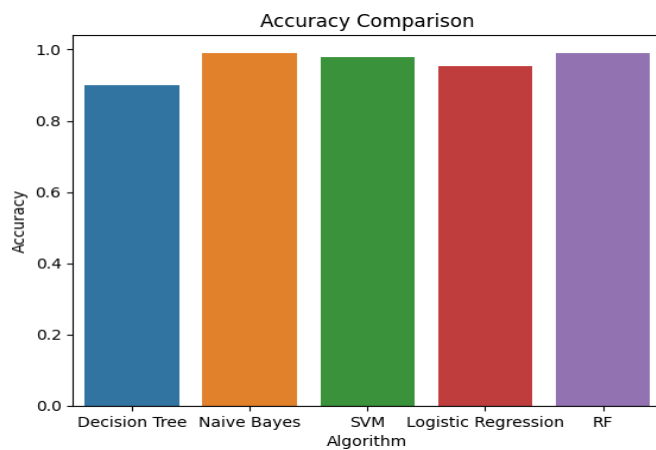


Fig.6. Accuracy Comparison

The screenshot shows a web form with the following input fields and values:

- Crop: (empty)
- Nitrogen: 100
- P: 10
- Potassium: 100
- Phosphorus: 100
- Humid: 100
- Humidity: 10
- Temperature: 10
- PH: 10

Below the form is a blue 'Predict' button. The output text reads: "The crop suitable for you is [grapes]"

Fig. 8. Crop Recommendation Output

Overall, this code demonstrates the implementation of a Naive Bayes classifier for a crop recommendation system using Python and the scikit-learn library. The code reads a fertilizer recommendation dataset and trains a Naive

Bayes classifier model to predict the fertilizer name based on inputs. It imports the necessary modules including pandas, NumPy, seaborn, sklearn, and GaussianNB. It then loads the dataset from a CSV file, separates the inputs from the target label, and splits the dataset into training and testing sets using `train_test_split()` with a 70/30 ratio. The GaussianNB model is created and trained on the training set using `fit()`. Finally, the accuracy of the model on the training set is calculated using `score()` shown in Fig.8

6. Conclusion

The study concludes that the application of IoT-enabled predictive analytics and machine learning in agriculture can significantly improve productivity and sustainability. The prototypes, ACIS and SAPS, demonstrate the effectiveness of this technology in managing water resources, optimizing crop yield, and detecting crop diseases and pests. Through the integration of sensors, machine learning algorithms, and predictive analytics, real-time data analysis and insights can be obtained, enabling farmers to make informed decisions regarding their crops and resources. Research can be extended into edge computing solutions to process data locally, reducing latency and energy consumption, and enabling rapid decision-making on the farm and developing more sophisticated sensors for real-time data collection, including multispectral and hyperspectral imagery, to capture finer details about soil, crops, and livestock.

The use of this technology has the potential to transform agriculture by increasing crop yields, reducing resource wastage, and promoting sustainability. With the global population continuously increasing, finding innovative ways to feed the population is essential, and the integration of IoT-enabled technology in agriculture is a promising solution. The future of agriculture is dependent on the incorporation of technology, and the prototypes of ACIS and SAPS are just the initial steps towards achieving the potential benefits of predictive analytics and machine learning in agriculture.

REFERENCES

- [1] Zhang, H., Liu, H., Yan, Y., Zhao, C., & Zhao, S. (2019). Deep learning-based soybean yield estimation using remote sensing data. *Computers and Electronics in Agriculture*, 157, 327-335.
- [2] Naeini, S. A., Gholamalifard, M., & Moghadam-Charkari, N. (2018). Wheat yield forecasting using satellite data and machine learning techniques. *Computers and Electronics in Agriculture*, 154, 21-28.
- [3] Shahid, R. Q., Bilal, H. S. M., Hassan, S. A., & Hussain, I. (2019). IoT-enabled Smart Agriculture: A Survey on Application Areas, Technologies, and Challenges. *Journal of Sensors*, 2019, 1-24.
- [4] Wang, T., Li, X., Shang, J., Li, X., & Liu, X. (2019). Real-time water quality monitoring and management in precision irrigation system utilizing IoT. *Journal of Sensors*, 2019, 1-13.
- [5] Kumar, A., Sharma, P., & Singh, A. K. (2019). IoT-based smart irrigation systems for effective water management in agriculture: a review. *Journal of Cleaner Production*, 209, 977-991.
- [6] Singh, D., Datta, P., & Kaur, H. (2018). Smart security surveillance system utilizing IoT and machine learning for precision agriculture. *International Journal of Engineering & Technology*, 7(4.30), 382-386.
- [7] Wang, Z., Gao, F., Liu, L., Zhang, Y., & Gao, H. (2020). An intelligent identification and diagnosis system for grape diseases based on deep learning. *Biosystems Engineering*, 194, 56-66.
- [8] Srinivasan, R., Aggarwal, P., & Das, A. (2019). Early identification of fall armyworm using IoT and machine learning. In *Proceedings of the 3rd International Conference on Inventive Systems and Control (ICISC)* (pp. 1-6).
- [9] Talaat, F.M. Crop yield prediction algorithm (CYPA) in precision agriculture based on IoT techniques and climate changes. *Neural Comput & Applic* 35, 17281–17292 (2023). <https://doi.org/10.1007/s00521-023-08619-5>.
- [10] Senapaty MK, Ray A, Padhy N. IoT-Enabled Soil Nutrient Analysis and Crop Recommendation Model for Precision Agriculture. *Computers*. 2023; 12(3):61. <https://doi.org/10.3390/computers12030061>
- [11] Amna Ikram, Waqar Aslam, Roza Hikmat Hama Aziz, Fazal Noor, Ghulam Ali Mallah, Sunnia Ikram, Muhammad Saeed Ahmad, Ako Muhammad Abdullah, Insaf Ullah. AI-Driven Intelligent Sensor Networks: Key Enabling Theories, Architectures, Protocols, and Techniques. *Journal of Sensors*. 2022; <https://doi.org/10.1155/2022/2022923>.
- [12] V. Elizabeth Jesi et al. IoT Enabled Smart Irrigation and Cultivation Recommendation System for Precision Agriculture. *ECS Transactions*. 2022; 1075953.
- [13] Shashi Shreya, Kakali Chatterjee, Ashish Singh, BFSF: A secure IoT based framework for smart farming using block chain, *Sustainable Computing: Informatics and Systems*, Vol. 40, 2023, 100917, ISSN 2210-5379. <https://doi.org/10.1016/j.suscom.2023.100917>.
- [14] Devendra Singh Mohan, Vijay Dhote, Prateek Mishra, Priya Singh, Alok Srivastav. (2023). IoT Framework for Precision Agriculture: Machine Learning Crop Prediction. *International Journal of Intelligent Systems and Applications in Engineering*, 11(5s), 300–313. [tps://ijisae.org/index.php/IJISAE/article/view/2778](https://ijisae.org/index.php/IJISAE/article/view/2778).

- [15] Oliva Debnath, Himadri Nath Saha. An IoT-based intelligent farming using CNN for early disease detection in rice paddy Microprocessors and Microsystems. Vol.94, 2022, 104631, ISSN 0141-9331, <https://doi.org/10.1016/j.micpro.2022.104631>.
- [16] Shashi Shreya, Kakali Chatterjee, Ashish Singh, BFSF: A secure IoT based framework for smart farming using block chain. Sustainable Computing: Informatics and Systems, Vol. 40, 2023, 100917, ISSN 2210 - 5379, <https://doi.org/10.1016/j.suscom.2023.100917>.
- [17] Ram CRS, Ravimaran S, Krishnan RS, et al. Internet of Green Things with autonomous wireless wheel robots against green houses and farms. International Journal of Distributed Sensor Networks. 2020;16(6). doi:10.1177/1550147720923477
- [18] R. Santhana Krishnan, E. Golden Julie, Y. Harold Robinson, S. Raja, Raghendra Kumar, Pham Huy Thong, Le Hoang Son, Fuzzy Logic based Smart Irrigation System using Internet of Things, Journal of Cleaner Production, Volume 252, 2020, 119902, ISSN 0959-6526, <https://doi.org/10.1016/j.jclepro.2019.119902>
- [19] R. Niranjana, R. S. Krishnan, K. L. Narayanan, X. A. Presskila, E. G. Julie and S. Sundararajan, "Intelligent Itinerant Robot [IIR] for Agricultural Farm Monitoring using IoT," 2022 Second International Conference on Artificial Intelligence and Smart Energy (ICAIS), Coimbatore, India, 2022, pp. 1346-1351, doi: 10.1109/ICAIS53314.2022.9742895.